

JVC

SERVICE MANUAL

COLOUR TELEVISION

BASIC CHASSIS

JK

AV-29RX_(C-A)

This service manual mainly consists of the following items:

- The items which differ from those for the AV-29RX(c) service manual.
- The initial value for each setting item.

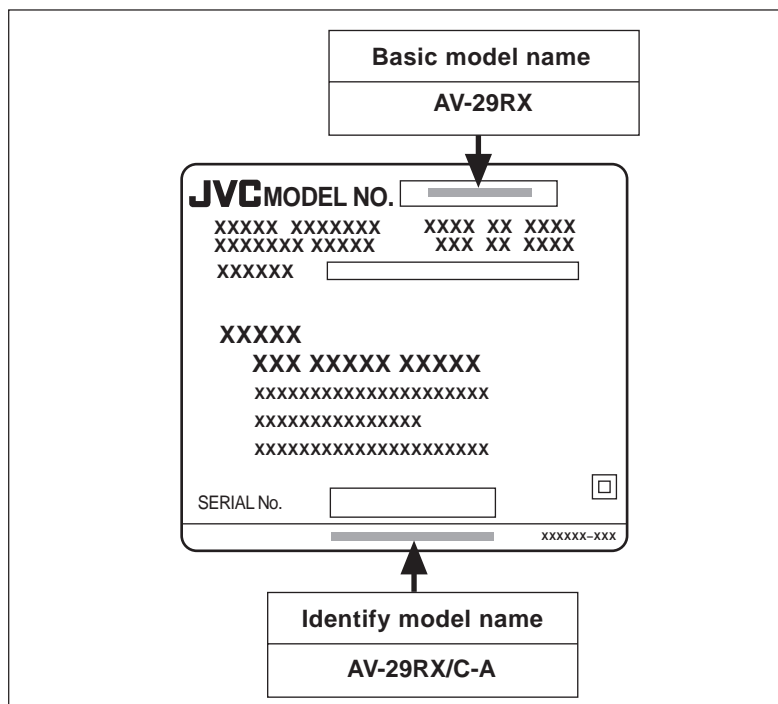
For details other than those described in this manual, please refer to the following service manual.

Reference Service Manual: AV-29RX(c) Service Manual (No. 51729, Jul. 2000)

Note: The page in parentheses shows the one for the AV-29RX(c) service manual (No. 51729, Jul. 2000).


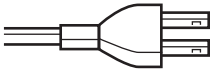
HOW TO IDENTIFY MODEL

While referring to the illustration given below, identify model name on the rating label affixed to the rear cover.



PARTS DIFFERENCE TABLE

The different parts between AV-29RX(c) and AV-29RX(c-A) are described below:

△	REF. NO.	AV-29RX(c)	AV-29RX(c-A)	PART NAME	DESCRIPTION
		PART No.	PART No.		
■ EXPLODED VIEW PARTS LIST (Pages 35 and 36)					
△	V01	A68QCU259X67Q	A68QCU259X67K	PICTURE TUBE	
△	13	QMP40D0-200J5 or QMP40D0-200J3 	QMPR010-200-E2 or QMPR010-200-K2 	POWER CORD	
△	16	LC20377-010B-H	LC20413-002B-H	RATING LABEL	
■ PACKING PARTS LIST (Page 47)					
	1	LC10845-007A-H	GG10044-017A-H	PACKING CASE	
△	10	LCT0661-001A-H	—————	DIGEST MANUAL	
△	—	—————	QAM0055-001	CONVERSION PLUG	

SPECIFICATIONS (Page 2)

Item		CONTENTS
Dimensions (W × H × D)		732mm × 588mm × 508mm
Mass		52kg
TV RF System		B, G, I, D, K, K1, M
Colour System		PAL, SECAM, NTSC3.58, NTSC4.43
Receiving Frequency	VHF (L)	46.25MHz ~ 168.25MHz
	VHF (H)	175.25MHz ~ 463.25MHz
	UHF	471.25MHz ~ 863.25MHz
	CATV	Mid (X-Z, S1-S10), Super (S11-S20), Hyper (S21-S41) bands receivable
Intermediate Frequency		
	VIF Carrier	38.0MHz
	SIF Carrier	33.5MHz(4.5MHz), 32.5MHz(5.5MHz), 32.0MHz(6.0MHz), 31.5MHz(6.5MHz)
Colour Sub Carrier Frequency		
	PAL	4.43MHz
	SECAM	4.40625MHz, 4.25MHz
	NTSC	3.58MHz / 4.43MHz
Power Input		AC110 ~ 240V, 50/60Hz
Power Consumption		193W (Max) / 137W (Avg)
Picture Tube		Visible size : 68cm measured diagonally
High Voltage		32.0kV ±1.5kV (at zero beam current)
Speaker & Audio Output		Open dome speaker 10W+10W, 10cm round x 2
Video Audio Input terminals		
Video1	S-Video	Y: 1Vp-p positive (Negative sync provided, when terminated with 75Ω) C: 0.286Vp-p (Burst signal, when terminated with 75Ω)
	Video	1Vp-p 75Ω (RCA pin jack)
	Audio (L/R)	500mVrms (-4dBs), High impedance (RCA pin jack)
Video2	Video	1Vp-p 75Ω (RCA pin jack)
	Audio (L/R)	500mVrms (-4dBs), High impedance (RCA pin jack)
Video3	Video/Y	V: Composite video 1Vp-p 75Ω (RCA pin jack) Y: Component video 1Vp-p 75Ω (RCA pin jack)
	Cb	Component video B-Y 0.7Vp-p 75Ω (RCA pin jack)
	Cr	Component video R-Y 0.7Vp-p 75Ω (RCA pin jack)
	Audio (L/R)	500mVrms (-4dBs), High impedance (RCA pin jack)
Video4 (Front terminal)	S-Video	Y: 1Vp-p positive (Negative sync provided, when terminated with 75Ω) C: 0.286Vp-p (Burst signal, when terminated with 75Ω)
	Video	1Vp-p 75Ω (RCA pin jack)
	Audio (L/R)	500mVrms (-4dBs), High impedance (RCA pin jack)
Video Audio Output terminal		
	Video	1Vp-p 75Ω (RCA pin jack)
	Audio (L/R)	500mVrms (-4dBs), High impedance (RCA pin jack)
Aerial Input Terminal		75Ω unbalanced, Coaxial
Headphone Jack		Stereo mini jack (ø3.5mm)
AV Compu Link terminal		AV Compu Link II, mini jack (ø3.5mm)
Remote Control Unit		RM-C113 (AA/R06 dry battery × 2)

Design & specifications are subject to change without notice.

SPECIFIC SERVICE INSTRUCTIONS

SETTING OF SYSTEM CONSTANT SET (Page 10)

Table 1

CONTENTS	VARIABLE RANGE	INITIAL SETTING VALUE
COLOUR	☐▶ MULTI →▶ TRIPLE →▶ PAL ☐	MULTI
MSP	☐▶ YES →▶ NO ☐	NO
SUPER BASS	☐▶ YES →▶ NO ☐	NO
CENTER SPEAKER	☐▶ YES →▶ NO ☐	NO
TEXT	☐▶ YES →▶ NO ☐	NO
BLUE BACK MUTE	☐▶ YES →▶ NO ☐	YES
VOLUME LIMIT	☐▶ YES →▶ NO ☐	YES
COLOUR AUTO	☐▶ YES →▶ NO ☐	YES
TILT	☐▶ YES →▶ NO ☐	YES
C-TRAP	☐▶ 1 →▶ 0 ☐	1
E.M.C.	☐▶ YES →▶ NO ☐	NO
N/S WHITE BACK	☐▶ YES →▶ NO ☐	NO
7 LED SPEED	☐▶ 00 →▶ 10 →▶ 20 →▶ ... →▶ 1250 ☐ ☐▶ 1270 ←▶ 1260 ←▶ ☐	100

USER SETTING CONDITIONS (Page 10)

Table 2

PICTURE SETTING		FEATURES	
PICTURE MODE	BRIGHT	SLEEP TIMER	OFF
CONTRAST	CENTER	ON TIMER	PR1 0:00
BRIGHT	CENTER	BLUE BACK	ON
SHARP	CENTER	CHILD LOCK	OFF
COLOUR	CENTER	CHANNEL GUARD	--
TINT	CENTER	AUTO SHUT OFF	OFF
WHITE BALANCE	COOL	VIDEO-3 SETTING	COMPONENT
PICTURE FEATURES		INSTALL	
A.A.C	ON	LANGUAGE	ENGLISH
AUTO VNR	AUTO	AUTO PROGRAM	--
COLOUR SYSTEM	TV: According to preset CH VIDEO: AUTO PAL	EDIT / MANUAL	PRESET CH only Others: blank
ZOOM	REGULAR	DEMO	
ECO SENSOR	OFF	DEMO	OFF
PICTURE TILT	CENTER	OTHERS	
SOUND SETTING		VOLUME	Appropriate sound level
BASS	CENTER	CHANNEL PRESET	Refer to Operating Instructions.
TREBLE	CENTER	CHANNEL POSITION	1 POSITION
BALANCE	CENTER	SUB POWER	ON
AI VOLUME	ON	ON SCREEN DISPLAY	POSITION INDICATION
BBE	ON	TV/VIDEO	TV
SPATIALIZER	OFF	SOUND SYSTEM	B/G

SERVICE ADJUSTMENTS

■ Initial Setting Value

■ SETTING OF VSM PRESET (Page 19)

[INITIAL SETTING VALUES OF VSM PRESET (SUB MENU 5. VSM PRESET)]

ITEM \ PICTURE MODE	BRIGHT	STANDARD	SOFT
1. BRIGHT	+0	+0	+0
2. CONT	+17	+0	-4
3. COLOR	+0	+0	-1
4. SHARP	+0	+0	-3
5. TINT	+0	+0	+0

: Do not adjust.

■ SETTING OF WHITE BALANCE PRESET (Page 20)


[SETTING OF WHITE BALANCE PRESET (SUB MENU 6. WB PRESET)]

ITEM \ WHITE BALANCE	COOL	MID	WARM
1. R DRIVE	0	-3	+26
2. B DRIVE	0	-23	-27

: Do not adjust.

■ VIDEO / CHROMA CIRCUIT ADJUSTMENT (Page 20)

CONTENTS		PAL	SECAM	NTSC 3.58	NTSC 4.43
1. CUTOFF	R	-60			
	G	-60			
	B	-60			
2. DRIVE	R	+0			
	B	+0			
3. BRIGHT	TV	0	+3	+1	—
	VIDEO	-1	+2	+2	—
	COMPONENT	-2			
4. CONT	TV	-15	0	0	—
	VIDEO	0	0	0	—
	COMPONENT	+2			
5. COLOUR	TV / VIDEO	+10	+18	+0	0
	COMPONENT	+8		+17	
6. TINT	TV	+6	+6	+7	0
	VIDEO	+6	+6	+14	0
	COMPONENT	+6		0	
7. BLACK OFFSET	R-Y	—	0	—	—
	B-Y	—	0	—	—
8. SHARP	TV	-14	-13	-12	—
	VIDEO	-8	-7	-9	—
	COMPONENT	-10			

 : Do not adjust.

Adjustment of SUB COLOUR-II (Page 23)

Adjustment part	Description
5. COLOUR	
PAL COLOUR	Value (A) in the figure: Set to -3V (W & G) .
SECAM COLOUR	Value (A) in the figure: Set to -5V (W & G) .
NTSC 3.58 COLOUR	Value (A) in the figure: Set to +3V (W & G) .

Adjustment of SUB TINT-II (Page 24)

Adjustment part	Description
6. TINT	
NTSC 3.58 TINT	Value (B) in the figure: Set to +4V (W & Cy) .

■ DEFLECTION CIRCUIT ADJUSTMENT (Page 26)

[DEFLECTION ADJUSTMENTS INITIAL SETTING VALUE (SUB MENU 4. DEF)]

Setting item	Adjustment name	Initial setting value					
		REGULAR		ZOOM		16:9	
		50Hz	60Hz	50Hz	60Hz	50Hz	60Hz
1. V-SHIFT	Vertical shift	-5	-1	0	+1	0	0
2. V-SIZE	Vertical size	+7	-1	+36	+35	-39	-39
3. SUBTITLE	Subtitle	0	+1	-7	+7	0	0
4. H-CENT	Horizontal center	-10	+5	-1	-1	0	-1
5. H-SIZE	Horizontal size	-12	-1	-4	-4	0	-1
6. EW-PIN	Side pin correction	-3	+1	-4	-4	+2	0
7. TRAPEZ	Trapezoidal distortion correction	+4	-2	0	-1	0	+1
8. EW.COR.L	Corner pin correction Low side	-2	0	-1	-1	+1	+1
9. EW.COR.H	Corner pin correction High side	-2	0	0	0	+1	+1
10. V.S-COR	Vertical size correction	+13	0	0	0	0	0
11. V-LIN	Vertical Linearity	+2	-1	-1	-1	+1	0
12. H-BLK-R	Horizontal Blanking Right	0	0	0	0	+77	0
13. H-BLK-L	Horizontal Blanking Left	0	0	0	0	+2	0
14. V-EHT	V size correction level caused by EHT change	-4	0	0	0	0	0
15. H-EHT	H size correction level caused by EHT change	-3	0	0	0	0	0
16. EHT-GAIN	Size correction gain caused by EHT change	+3	0	0	0	0	0

: Do not adjust.

■ AUDIO CIRCUIT ADJUSTMENT (Page 30)

[AUDIO ADJUSTMENTS INITIAL SETTING VALUE (SUB MENU 3. AUDIO)]

Setting item	Variable range	Fixed value
1. ERROR LIMIT	000H ~ FF0H	100H
2. A2 ID THR	00H ~ FFH	14H
3. BASS	-17 ~ +17	+0
4. TREBLE	-17 ~ +17	+0

: Do not adjust.



JVC

VICTOR COMPANY OF JAPAN, LIMITED
TELEVISION RECEIVER DIVISION 1106 Heta, Iwai-city, Ibaraki-prefecture, 306-0698, Japan

